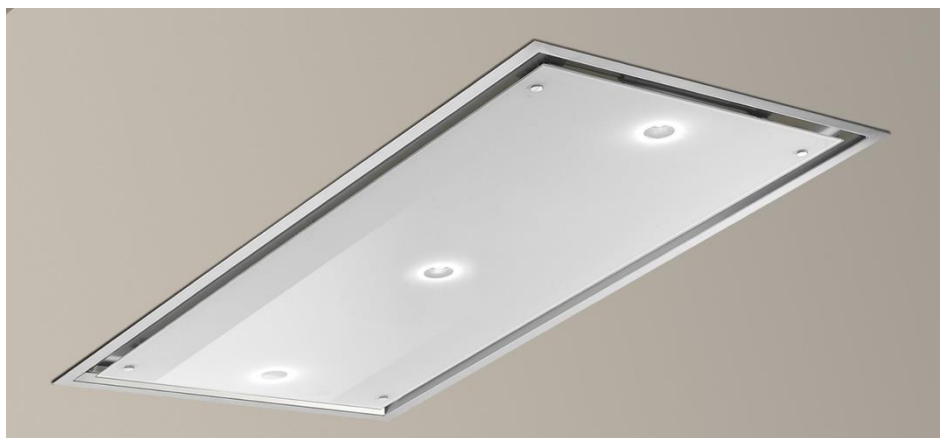


SILVERLINE

Bianca 85cm Ceiling Hood



Installation & User Instructions

Please read these instructions carefully before installing and operating this appliance

Contents

1. Introduction	3
2. Health and Safety	3-4
3. Installation	4-9
3.1 Assembly Instructions	4-7
3.2 Electrical Wiring	7-9
3.2.1 Electrical Wiring Diagram	8
3.2.2 Controls	9
4. Use & Maintenance	9-10
4.1 Changing the Light Bulbs	9
4.2 Cleaning the Metal Filters	9
4.3 Cleaning the Hood	10
5 Technical Data	10
6 Dimensions	11
6.1 Bianca 90cm without Motor	
6.2 Bianca 90cm with Motor	

1. Introduction

Dear Customer,




We wish to thank you for choosing this Silverline cooker hood. In order to get the best performance from your appliance we recommend that you read this booklet carefully before operating the appliance for the first time.

Revisions to the publication

In order to improve the product, to keep this publication up to date the manufacturer reserves the right to make modification without any advance notice. Any reproduction, even in part, of this manual without the consent of the manufacturer is prohibited.

Care of the manual and how to consult it

- Take good care of this manual and keep it in a place which can be easily and quickly reached.
- If this manual should be lost or destroyed, or if it is in poor condition, ask for a copy from your retailer, providing product identification data.
- Information which is essential or that requires special attention is shown in bold text.

	ATTENTION This warning sign indicates that the message to which it refers should be carefully read and understood, because failure to comply with what these notices say can cause serious damage to the extractor and put the user's safety at risk.
	INFORMATION This symbol is used to highlight information which is important for proper extractor operation. Failure to comply with these provisions will compromise use of the boiler and its operation will not be satisfactory.
	MANUAL Indicates that you should carefully read this manual or the related instructions.

2. Health and Safety



- **Installation of the cooker hood, making electrical connections, checking its operation and maintenance are all tasks which should be**

carried out by qualified and authorised personnel.

- **Install the cooker hood in accordance with the regulations in force in your local area, region and country.**
- For the correct use of the appliance and to prevent accidents, the instructions given in this booklet must always be followed.
- Before beginning any operation, the user, or whoever is preparing to operate on the appliance, must have read and understood the entire contents of this instruction booklet.
- All responsibility for improper use is taken entirely by the user and as such relieves Silverline of any civil or criminal responsibility.
- In view of the fact that it is an electrical appliance, do not touch the appliance with wet hands.
- Before carrying out any cleaning or maintenance operation, make sure in advance that the appliance is isolated from the mains electricity supply.
- Incorrect installation or faulty maintenance (not conforming to the requirements set out in this booklet) can cause harm to people, animals or property. In such cases Silverline is absolved from any civil or criminal responsibility.

This product complies with EU Directive EU2002/96/EC.

The crossed bin symbol on the appliance indicates that the product, at the end of its life, must be disposed of separately from domestic waste, either by taking it to a separate waste disposal site for electric and electronic appliances or by returning it to your dealer when you buy another similar appliance. The user is responsible for taking the appliance to a special waste disposal site at the end of its life. If the disused appliance is collected correctly as separate waste, it can be recycled, treated and disposed of ecologically.

WARNINGS:

- This appliance can be used by children aged from 8 years and above and persons with reduced physical, sensory or mental capabilities, or lack of experience and knowledge if they have been given supervision or instruction concerning use of the appliance in a safe way and understand the hazards involved.
- Children shall not play with the appliance. Cleaning and user maintenance shall not be made by children without supervision.

- Before cleaning or performing any periodic or urgent maintenance to the hood, isolate the mains supply and turn the main switch off.
- Do not connect the hood to any piping used for combustion appliances, such as burners, boilers or fire places.
- Check that the main power supply corresponds to the voltage required by the hood, which is given on the silver label stuck inside the hood. Ensure that the electric system is correctly earthed and that the earth discharge works correctly.
- When cooking do not use any materials that could form high or unusual flames. Oil that has been used twice and fats are very dangerous and could easily catch fire. Do not prepare flambé dishes under the hood.
- Once the specialised technician has completed the installation of the hood equipped with a remote motor, all the leads, connectors, ground connections and the remote motor must not be accessible to the user. Only the installer is granted access by removing screwed on panel.
- Respect local legislation and regulations issued by the relative authorities regarding the exhaust air when the suction is operating. Failure to respect and perform all maintenance and cleaning operations described in this handbook could cause a fire hazard.



ATTENTION: Accessible parts may become hot when the hood is used with cooking appliance.

3. Installation

The minimum safety distance between the bottom of the hood and the top of the cooking hob must be 650mm, smaller distances must be previously authorised by the manufacturer. The maximum is 1.6m.

The hood can be used for both filtering and suction. When the filtering function is operating, i.e. with air recycle, carbon filters must be used.

When the suction function is operating i.e. exhausting the filtered air on the outside, a suitable compensation system must be used according to current standards in force. The diameter of the fume exhaust pipe must be the same or greater than the diameter of the hood pipe union.

There must be sufficient ventilation in the room where the hood is installed, to allow simultaneous use of other appliances that use gas or other fuels.

3.1 Assembly Instructions

Attention: Before proceeding with the installation, make sure that the screws and the anchors already supplied, are suitable for the type of wall the hood must be fixed to.

To assemble the hood use the accessories that are supplied and follow the instructions given in the enclosed hand book.

Screw hole dimensions and cut out dimensions

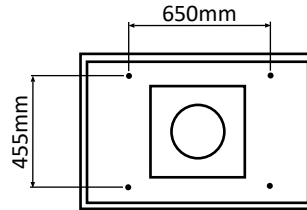


Fig 1

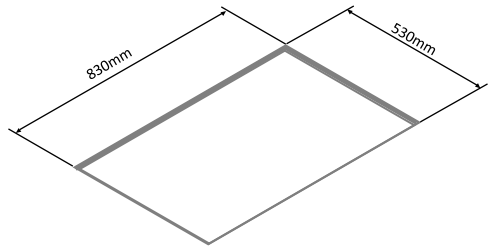


Fig 2

1. Drill a $\varnothing 4\text{mm}$ hole in the bulkhead (Fig 4) at the 4 anchor locations (Fig 3).

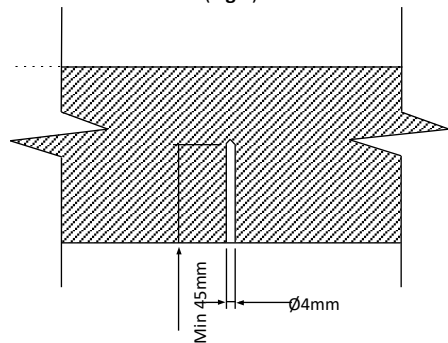


Fig 4

2. Screw the cap onto the bolt (Fig 5).

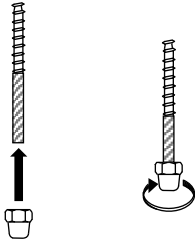


Fig 5

3. Screw bolt into 4 holes leaving 15mm from bulkhead to end of bolt and cap (Fig 6)

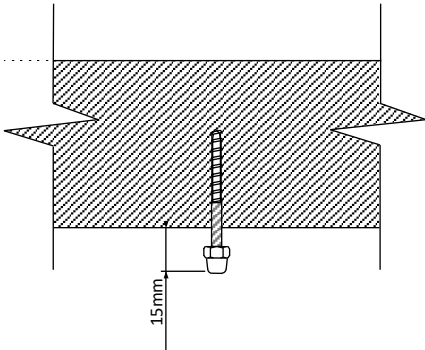


Fig 6

4. Remove the cap from the bolt (Fig 7).

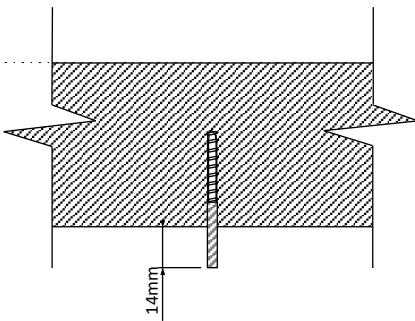


Fig 7

5. Pull down at each side of glass cover to remove (Fig 8).

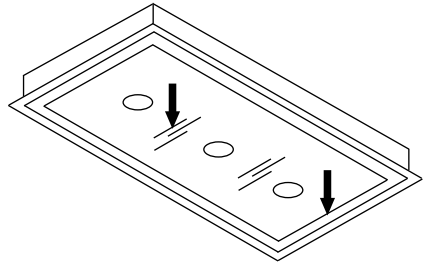


Fig 8

6. Undo the 4 screws holding the grease filters and glass cover to the body (Fig 9).

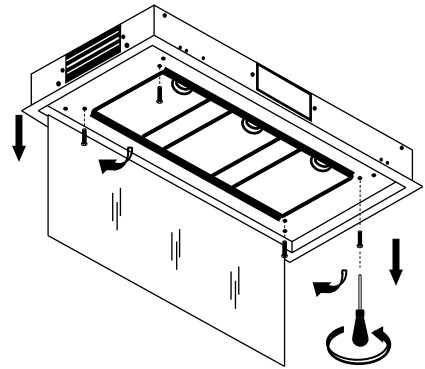


Fig 9

7. Remove the glass cover and grease filters from the body (Fig 10).

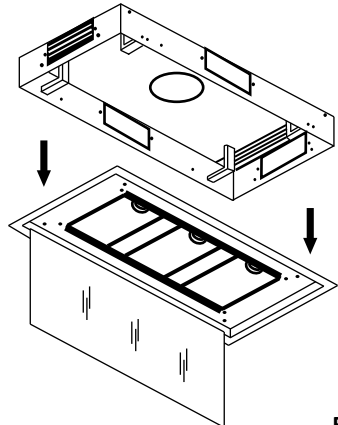


Fig 10

8. Align the fixings to the holes on the hood and tighten bolts to fix the hood to the bulkhead (Fig 11).

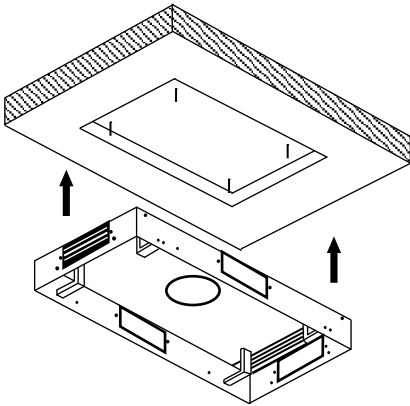


Fig 11

9. Only tighten the bolts so the hood is fixed securely to the bulkhead. If you tighten too much you will damage the frame (Fig 12).

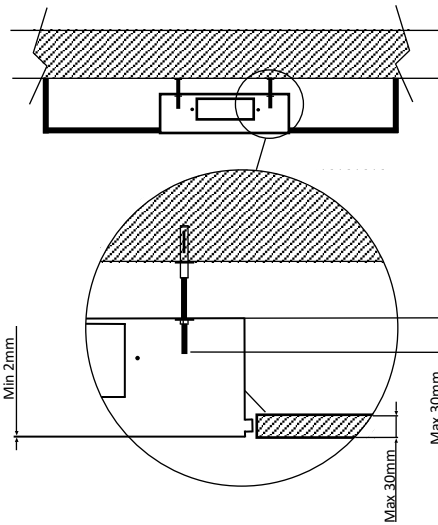


Fig 12

10. Re-insert the glass cover and grease filters into the body and tighten the screws (Fig 13).

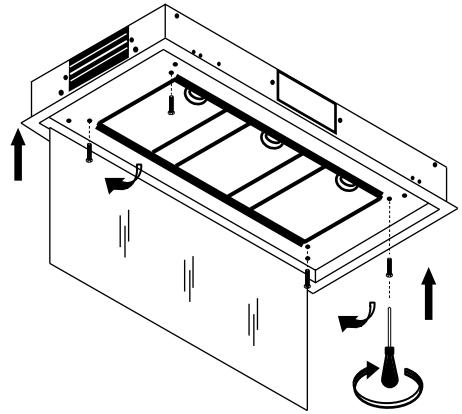


Fig 13

The Bianca can be ducted from any side of the motor to suit the installation by unscrewing the 4 screws and turning the motor 90 degrees (Fig 14).

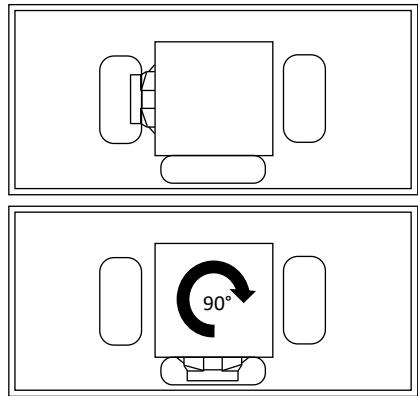


Fig 14

The Bianca can also be ducted from the top of the motor (Figs 15-18).

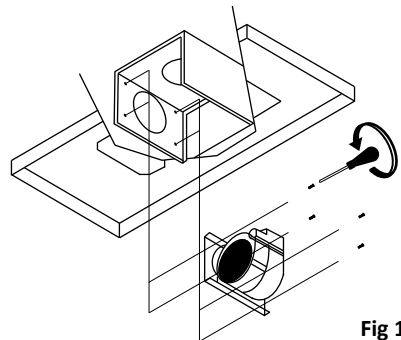


Fig 15

3.4 Electrical Wiring

The electrical wiring must be performed by a specialised electrician fully respecting current standards and legislation in force. **Check that the power supply corresponds to the voltage requested by the hood, which is given on the silver label stuck inside the hood.** Ensure that the wiring system conforms to current standards and the earth discharge works efficiently. Pay special attention to the hood power cable, ensure that it does not pass through any holes without a cable clamp. For direct connection to the electrical mains it is necessary to provide a device that ensures disconnection from the electrical mains, with an opening distance of the contacts that allows the complete disconnection under the conditions of overvoltage category III, in accordance with the rules of installation. The plug or Omni polar switch must be accessible when the unit is installed.

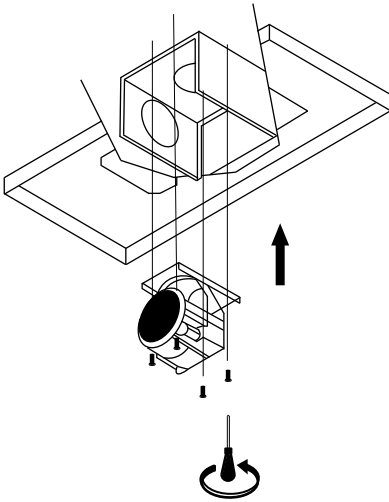


Fig 16

If the power cord is damaged, it must be replaced by a special cord or assembly available from the manufacturer or its service agent. The cable must be of type H05VV-F 3 x 0.75mm² minimum cross-section.

The manufacturer declines all responsibility if the current accident prevention standards in force are not respected, which are needed for the wiring system to operate correctly.

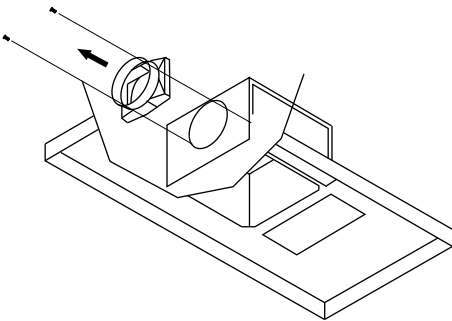


Fig 17

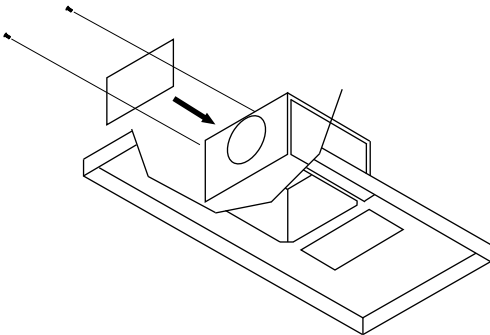
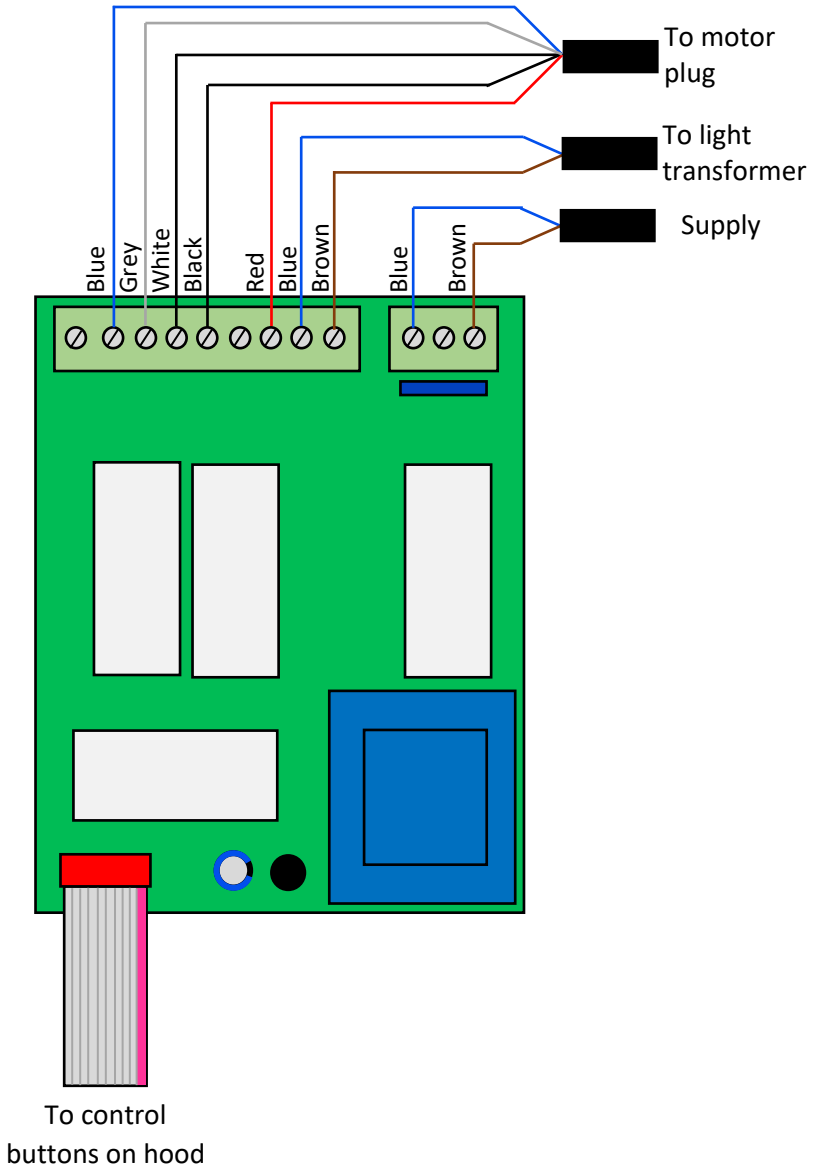


Fig 18

3.2.1 Electrical Wiring Diagram



3.2.2 Controls

The Bianca is controlled by remote control. This allows the user to control the hoods on/off functions and motor speeds.

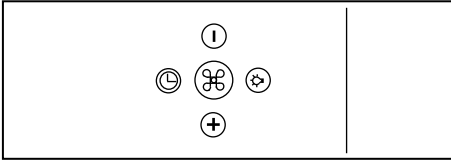


Fig 18

- ⊗ Turns the motor on at speed 2 and for turning the motor off.
- ⊕ Increases motor speed.
- ⊖ Decreases motor speed.
- ⊗ Turns lights on and off.
- ⌚ Timer button for turning the motor off after 10 minutes.

On first use the user will need to pair the remote control with the ceiling hood extractor. With the hood turned off, press and hold the fan button on the ceiling hood until the LED come son constant. Once this has happened press any button on the remote control to check all functions are working correctly.

4. Use & Maintenance

Before beginning any sort of cleaning or maintenance work, turn the power off to the hood by turning the main switch to 0 (OFF).

4.1 Changing the Light Bulbs

12V halogen G4 attachment: Use a screwdriver to unscrew the glass support ring (Fig 19 & 20). Remove the glass and change the light bulb. Replace the protective glass and screw back the ring. The light bulbs can be purchased in any electrical supply shop.

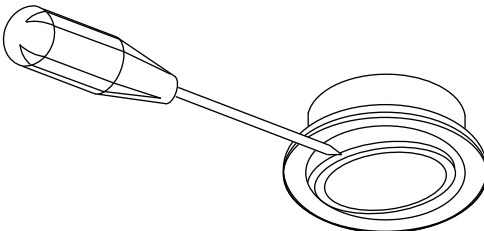


Fig 19

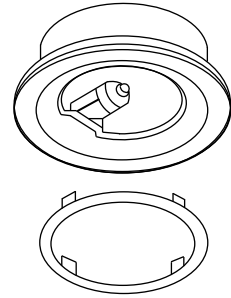


Fig 20

Dichroic lamp G4 attachment: Use a screwdriver to remove and change the dichroic lamp (Fig 21).

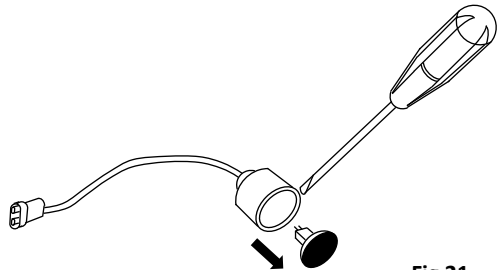


Fig 21

LED spotlight replacement should only be carried out by qualified technicians using only original spare parts.

4.2 Cleaning the Metal Filters

The metal filters fitted in the hood should be washed every 2-3 months, depending on how much the hood is used, using hot water and a liquid detergent that is not too aggressive.

The metal filters can be removed by the special handle, unhooking the front part of the filter and pulling it downwards (Fig 22).

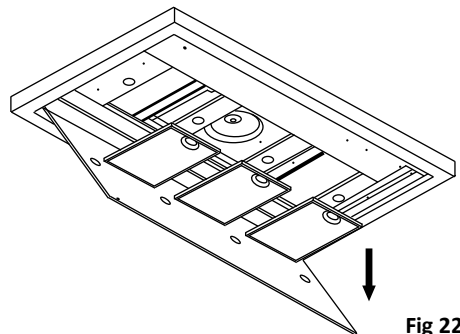


Fig 22

4.3 Cleaning the Hood

The surfaces of the hood should be cleaned frequently, to avoid the risk of having to remove built up and encrusted deposits and stains.

For the painted or copper plated hoods just a soft cloth with warm water and a neutral detergent. Do not pour the detergent directly onto the hood or use powdery or abrasive products. For the stainless steel hood, use special products and cloths for satin finish stainless steel (not abrasive, corrosive detergents or detergents containing chloride), ensuring to clean in the same direction as the satin finish.

Do not use aggressive products, chemical solvents or derivatives of oil distillates that could leave oily traces which could cause oxidation and polymerisation.

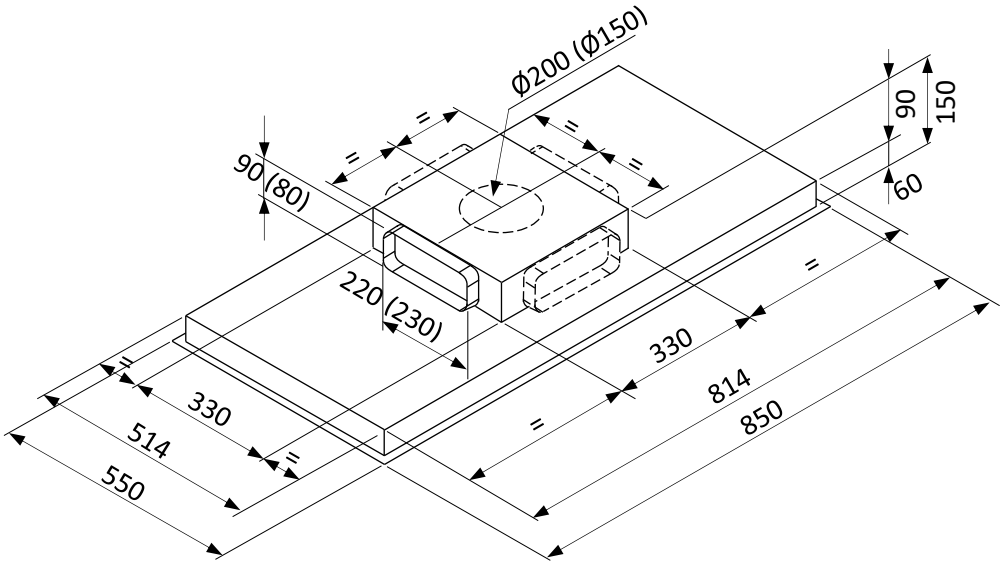
The manufacturer accepts no responsibility for damage to the surface of the hood due to failure to respect these instructions.

5. Technical Data

Bianca 85cm with AMR09 motor	
Control	Remote Control
Colour/finish	Extra white glass/stainless steel
Lighting	4 x LEDs (4000K)
Airflow (m ³ /h)	690-820
Pressure (Pa)	570
Noise (db)	54-64
Power (W)	250
Voltage (V)	220-240
Outlet Width (mm)	150
Weight	16kg
Energy Class	B

6. Dimensions

6.1 Bianca 90cm without Motor



6.2 Bianca 90cm with Motor

